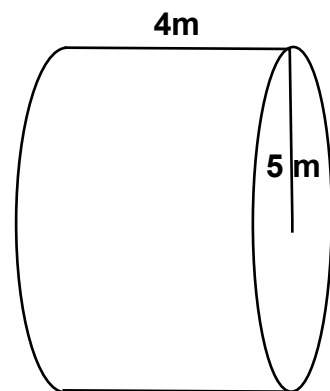
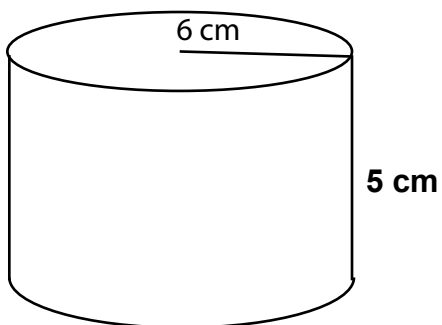
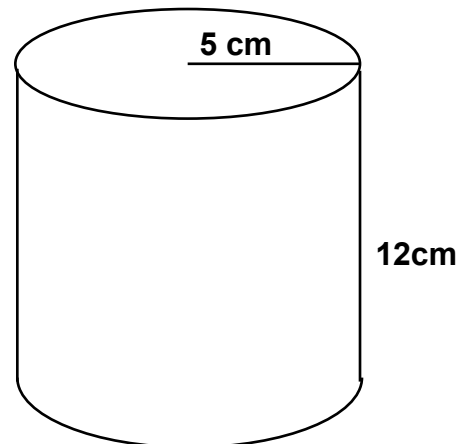
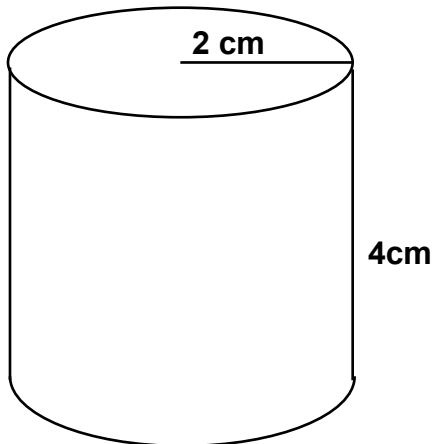
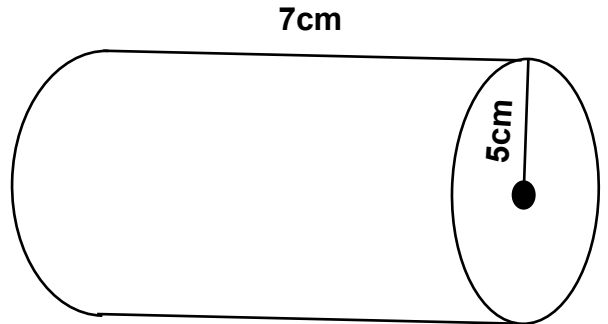
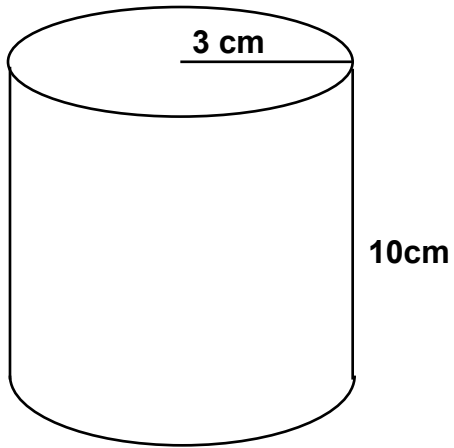


# Volume of Cylinder

Name: \_\_\_\_\_

Class: \_\_\_\_\_

Find the volume of the following figures  $V = \pi r^2 \cdot h$



# Volume of Cylinder

Name: \_\_\_\_\_

Class: \_\_\_\_\_

Answers

Find the volume of the following figures  $V = \pi r^2 \cdot h$

